



- Durable, lightweight Acetal plastic
- Accommodates 1” to 1-1/2” hose
- Easy turning handle
  - ◊ Also available in epoxy-coated aluminum
- Base mounting plate
- Full port opening
- Locking tab on handle
- Arrows on handle indicate flow path
- Supports either 2 or 3 flow-path mode

### Performance

<b>Max Pressure</b>	40 psi (2.8 kg/cm <sup>2</sup> )
<b>Max Service Temp</b>	212°F (100°C)

### Available Ports

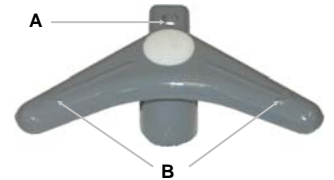
	in	1	1-1/2
	cm	1.27	1.6
	Barbed		S
	NPT Female (Tapped)	•	

S Standard • Optional

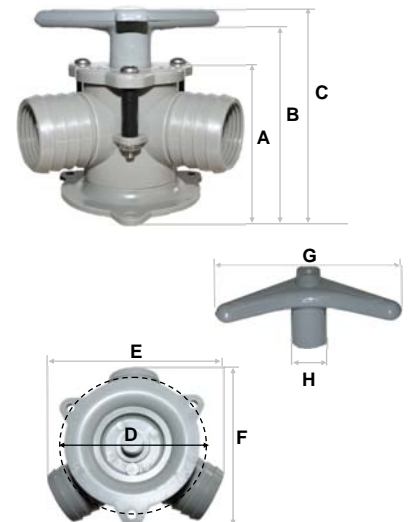
### Materials

<b>Body &amp; Ports*</b>	Acetal Plastic (Gray)
<b>Handle</b>	Acetal Plastic (Gray) or Epoxy-coated Aluminum
<b>Seat*</b>	Santoprene
<b>Fasteners</b>	Stainless Steel
<b>Spacers</b>	Polypropylene (Black)
<b>Lubricant*</b>	Dow Corning Silicone Grease #44

\* In contact with fluid



Y-Valve handle features lockable tab (A) and arrows (B) to indicate direction of flow.



### Handle Options



Straight  
(Acetal Plastic)



1-1/2 in  
V-Shape - Standard  
(Acetal Plastic or Epoxy-coated Aluminum)

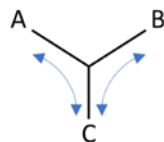


2-3/4 in  
V-Shape - Long  
(Acetal Plastic or Epoxy-coated Aluminum)



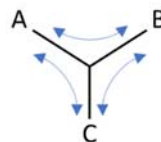
### Optional 2-Way or 3-Way Flow Mode

Easily removable travel stop ring converts from 2 flow-path mode to 3 flow-path mode



**2 Flow-Path Mode**

Flow path A-to-C or B-to-C



**3 Flow-Path Mode**

Flow path A-to-C, B-to-C or A-to-B

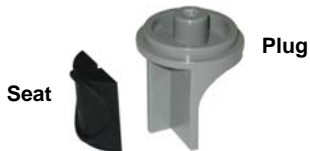
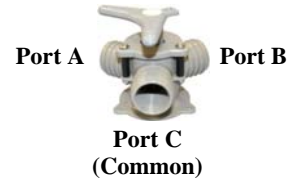
	in	cm
A	2-11/16	6.8
B	3-3/8	8.6
C	3-13/16	9.7
<b>(Bolt Circle Diam) D</b>	2-3/4	7.0
E	4-1/2	11.4
F	4-3/16	10.6
G	4-1/8	10.5
<b>(Ctr Shaft Diam) H</b>	13/16	2.1
<b>Mounting Holes</b>	3/16	0.5
<b>Weight</b>	0.55 lb	0.25 kg
<b>Weight (alum. handle)</b>	0.65 lb	0.29 kg

# Sea-Lect® Y-Valve YV-095D-B



**Example: YV-095D-B-30-838383**

- Sea-Lect Y-Valve
- Model style 95 (Acetal Plastic / Gray)
- Base mount
- Epoxy-coated Aluminum V-Shaped Handle
- No Trim Ring
- 1-1/2" Barbed Hose Connections



Sea-Lect Product	
Option	Code
Y-Valve	YV

Family	
Option	Code
1-1/2" Nominal Port Size	095D

Mounting Style	
Option	Code
Base Mount	B

**YV - 095D - B - 3 0 - 83 83 83**

Activation	
Option	Code
Straight Handle (Acetal Plastic)	2
V-Handle (Aluminum)	3
V-Handle (Aluminum) - Long	4
V-Handle (Acetal Plastic)	5
V-Handle (Acetal Plastic) - Long	6

Trim Ring (Face Plate)	
Option	Code
None	0

Option	Code		
	Port A	Port B	Port C
1" NPT Tapped	51	51	51
1-1/2" Barbed	83	83	83