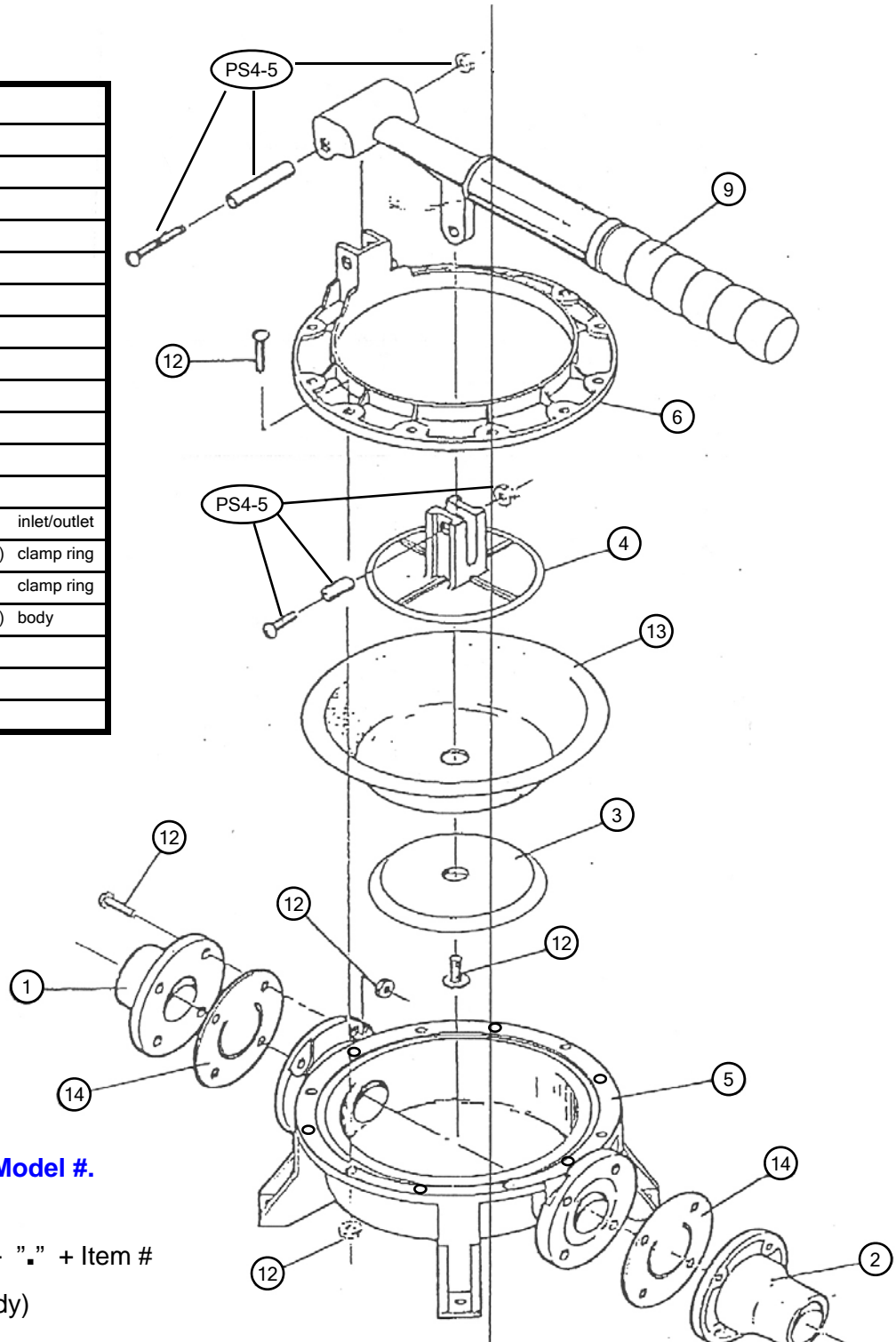


ITEM	PART NAME
1	Inlet Flange
2	Outlet Flange
3	Button
4	Clevis
5	Body
6	Clamp Ring
7	
8	
9	Horizontal Handle w/actuator
10	
11	
12	Hardware Set
	SRH10-32x5/8 316ss (8) inlet/outlet
	SRH10-32x3/4 316ss (10) clamp ring
	SRH10-24x1/2 316ss (2) clamp ring
	10-32 Hex Nut 316ss (18) body
13	Diaphragm
14	Flapper Valves
PS4-5	Pin Set



Note:

A part is specified by **Part Model #.**

Part Model # =

Pump Family Model # + "." + Item #

e.g. **GH-0400N.5** (Body)



930 Waterman Avenue East Providence, RI 02914
 Ph: 401-438-1110 888-438-1110 Fax: 401-438-2713
www.thebosworthco.com

Guzzler® GH-0400N
 ("2400" Pump)